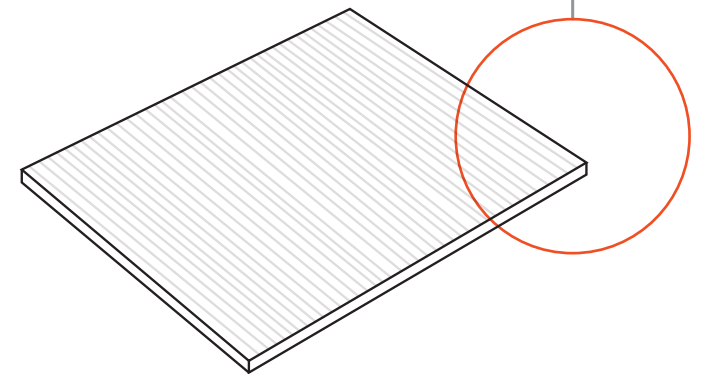
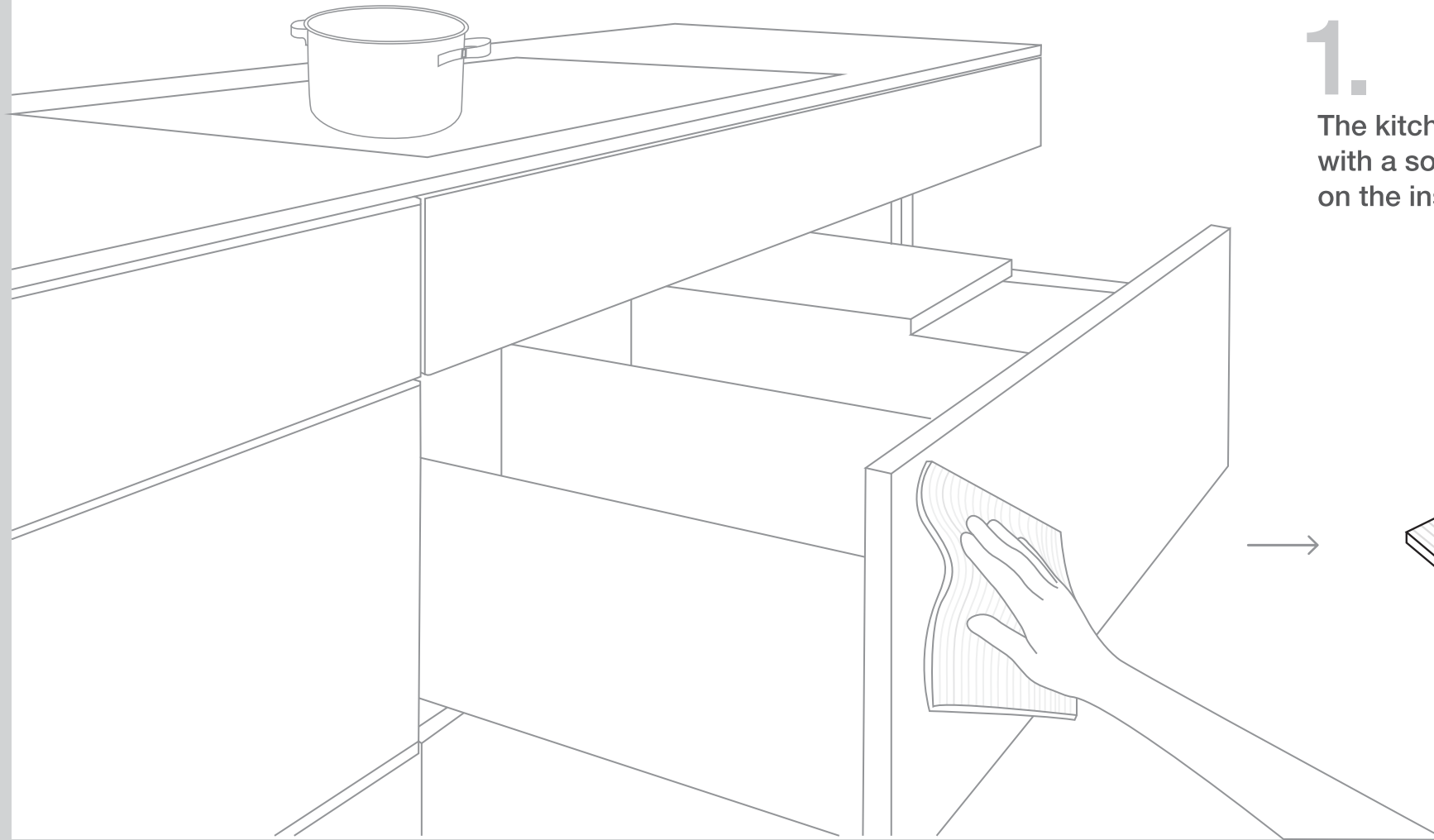




1.

The kitchens should be cleaned with a soft cloth/wipe (without stitches on the inside).

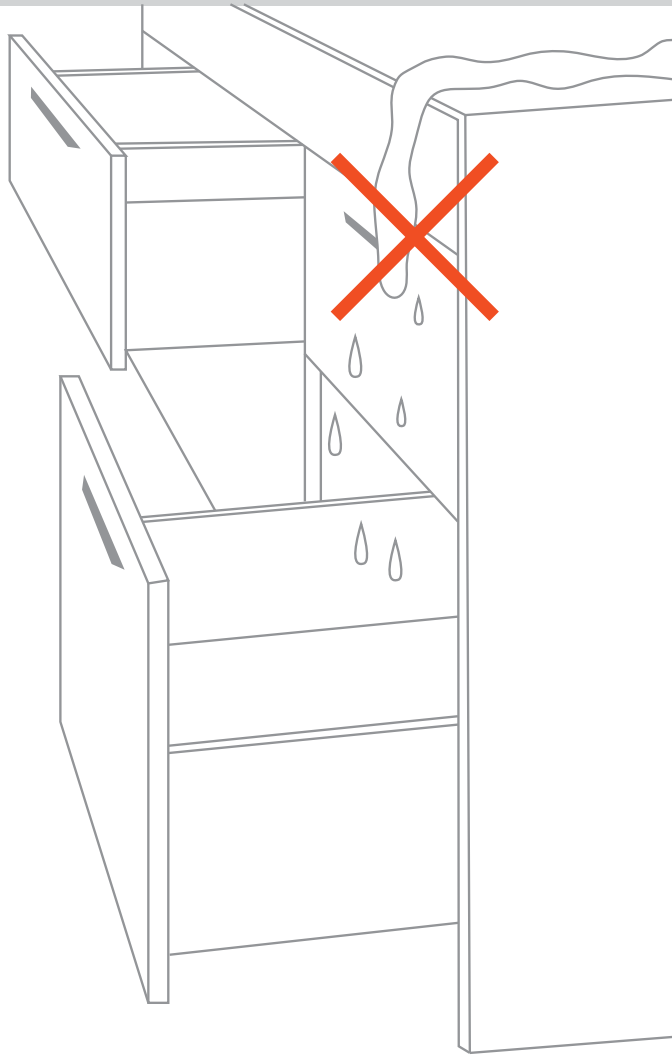


stitch-free
wipe



2.

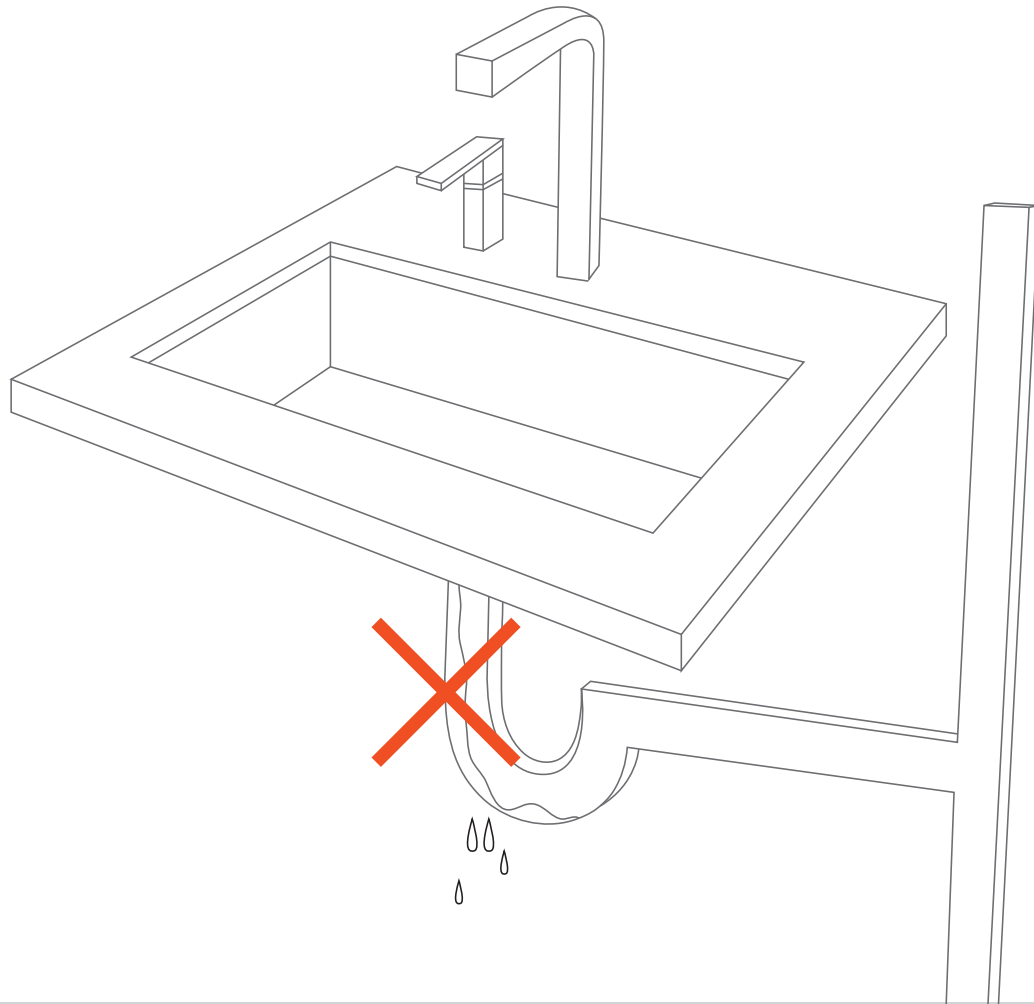
**Use mild solvents
for cleaning and wiping.**



3.

Please ensure there is no running water poured on the doors or inside the cabinets.

In case of spillage, please wipe it dry immediately.



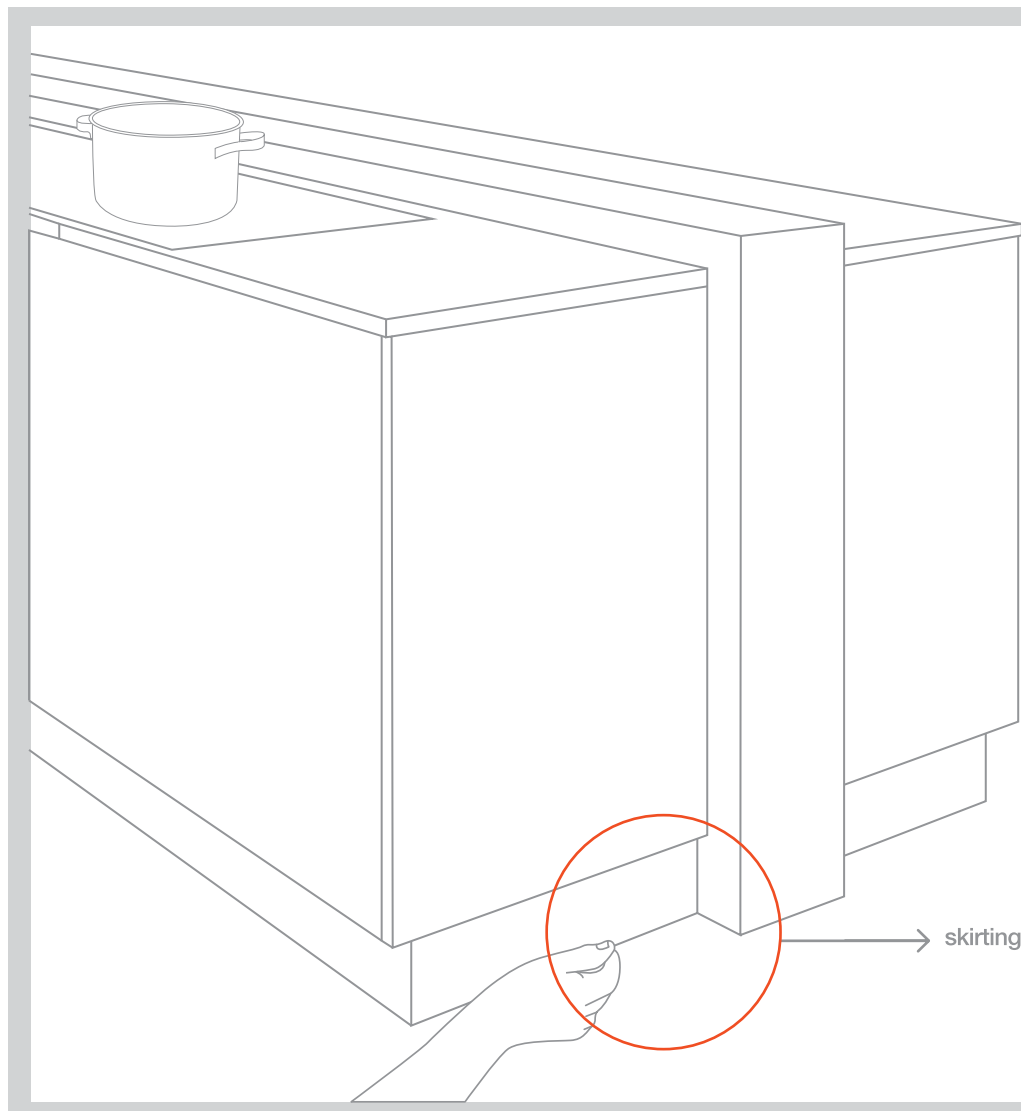
4.

Leakages, if any,
inside the sink unit
should be attended to
immediately.



5.

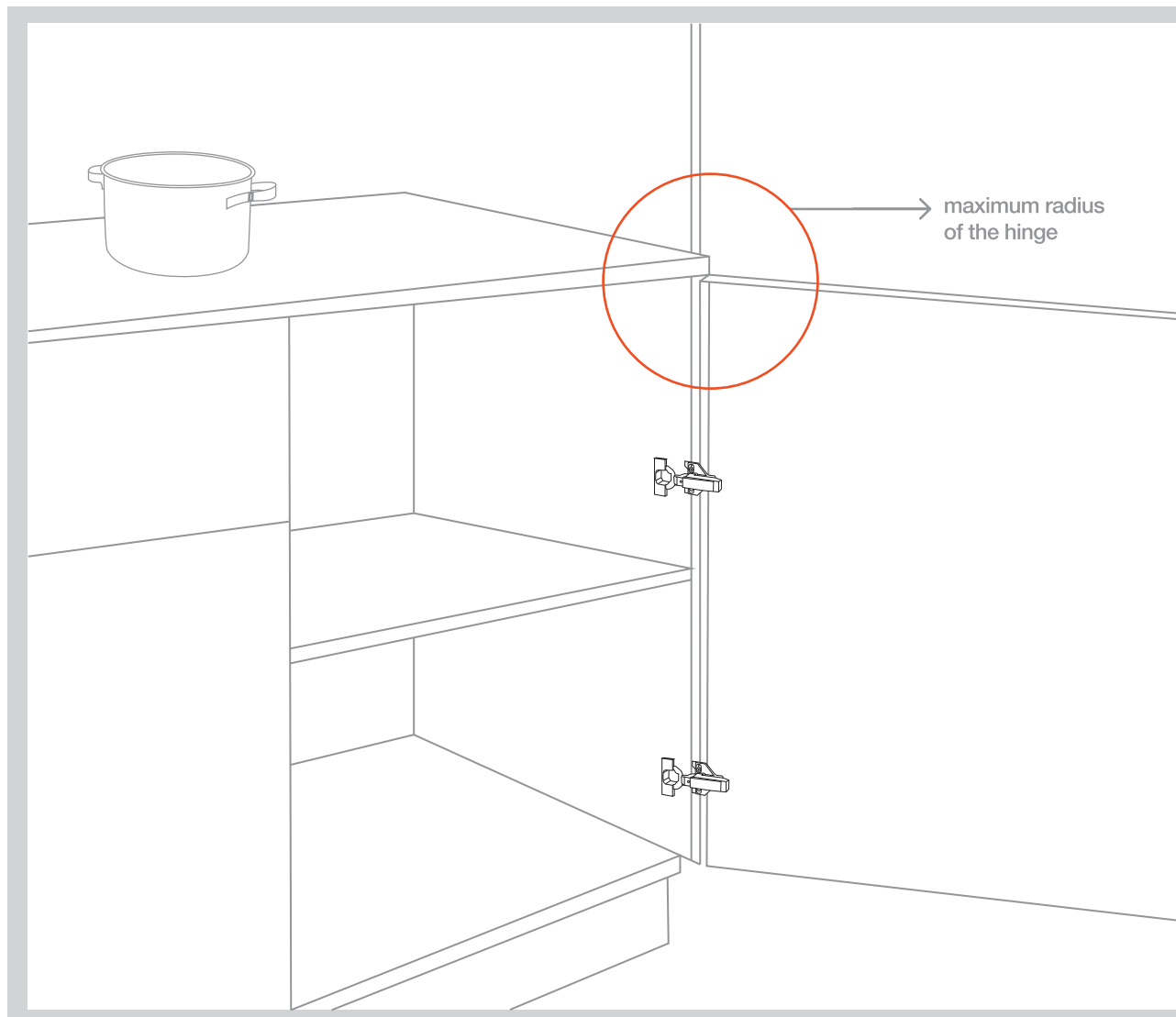
When the floor is washed, the skirting should be removed and placed back only once the floor is completely dry.





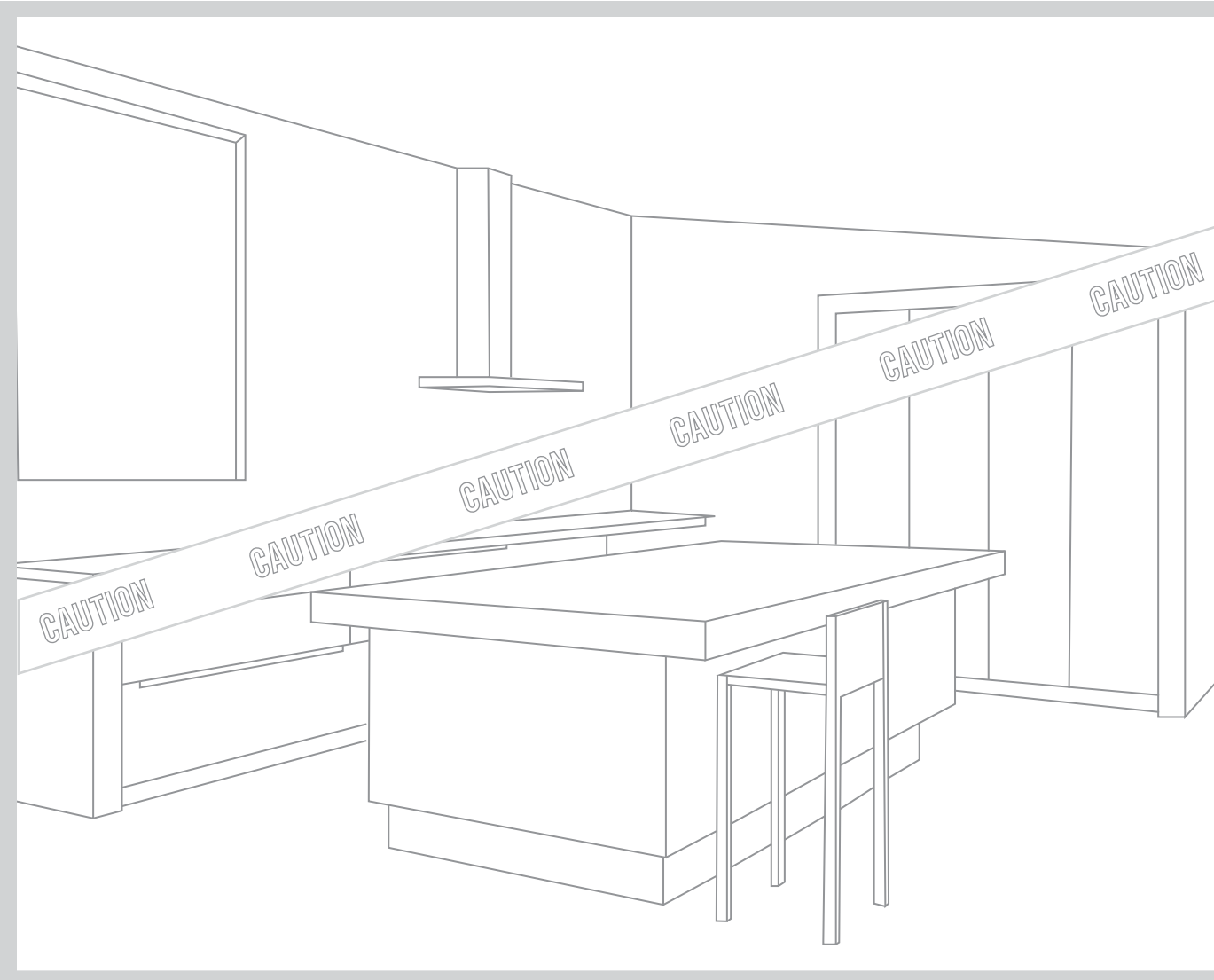
6.

Please avoid putting weight on the doors or taking their support while getting up from the floor.



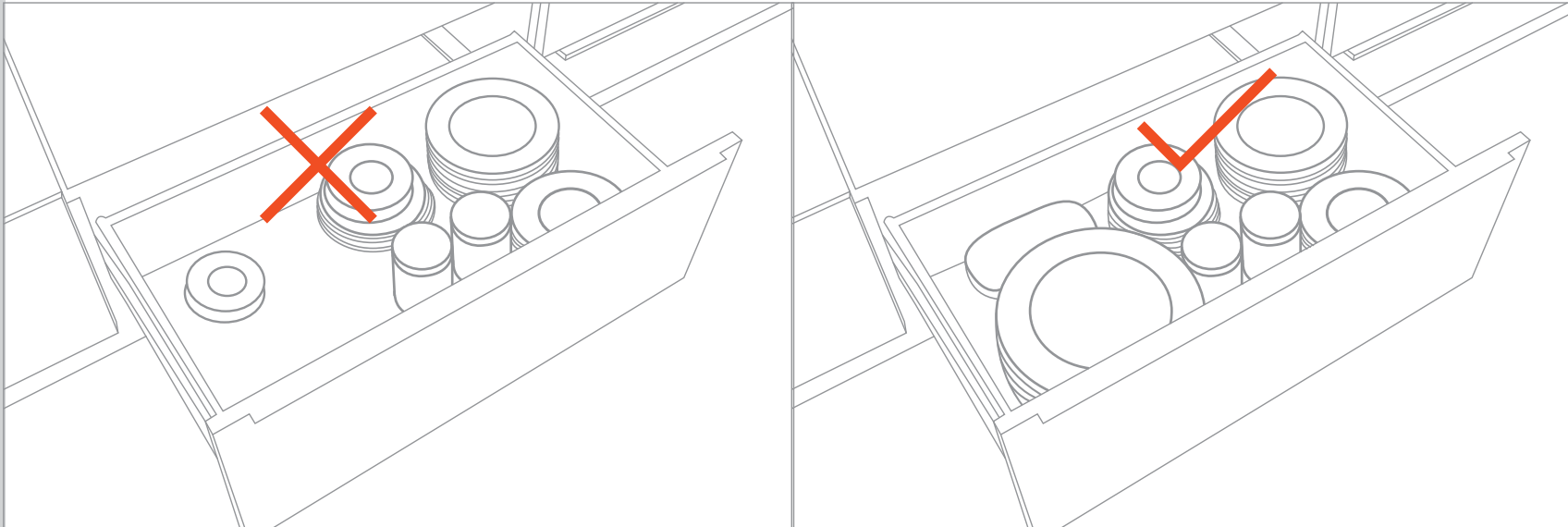
7.

Units should not be opened beyond the specified opening of the hinge.



8.

If renovation work is to be carried out in the house, the kitchen should be covered and locked to prevent damages.



9.

Do not keep heavy items unevenly on one side - the weight should be evenly distributed.